

GJSW-J4W-96 (GF102) Type Fiber Optical Joint Enclosure Technical Specification

Version: V1.0

Version	Upgrading Reason	Date	Maker	
V1.0	1 st . version	23 rd .11.2018	Tangjie Liu	

Catalogue

1	DESCRIPTION.....	2
2	FEATURE.....	2
3	PICTURE & STRUCTURE.....	3
4	MAIN COMPONENTS.....	4

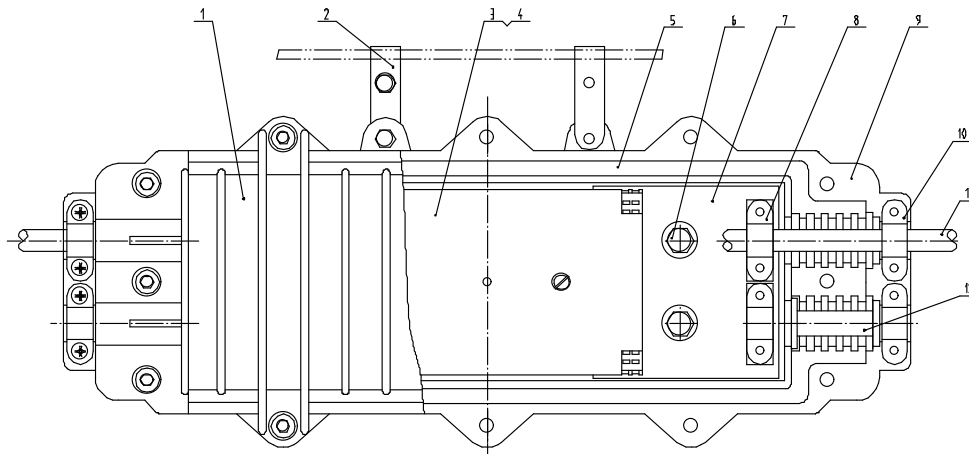
1 Description

SINDi's Fiber Optic Joint Enclosure GJSW-J4M-96 (GF102) is 2 in 2 out closure that is designed for use in any outside plant environment (direct buried, wall-mounting and aerial) for through or bifurcation cable connection. The open typed closure is made from high-quality PC, with mechanical sealing structure filled with sealing materials. The external accessories and fastening pieces are made from high-quality stainless steel. The closure can be opened after sealing and can be reused by changing the sealing materials.

2 Feature

- Comply with GR-1209-CORE, GR-1221-CORE, YD/T 2000.1-2014 and IEC criterion. Input fiber: fiber input ≥ 4 at 2 head sleeves with fiber diameters in the range min.11-25 mm.
- Ability against chemical corrosion.
- Insulation resistance: $106 \text{ M}\Omega \geq 5 *$
- Ability to withstand vibration durability at 5 to-50Hz frequency, amplitude 20m, 6m acceleration / s2
- Able to withstand impact resistance: $\geq 20\text{J}$.
- Able to withstand tensile strength: $\geq 1000 \text{ N}$.
- Able to withstand 900 endurance twisted in two directions: $\geq 50 \text{ Nm}$.
- Able to withstand flexural strength with 450 angle: $\geq 500 \text{ N}$.
- Working temperature: $0^{\circ}\text{C}-65^{\circ}\text{C}$.
- Able to withstand humidity: 100%.

3 Picture & Structure



Item No.	Dimension L×W×H(mm)	Cable ports	Cable Diameter	Max. Capacity (bunchy fiber)	Core capacity per tray
1	460×160×100	2INPUT 2OUTPUT	ports for Max.Φ25mm; ports for Min. Φ10mm	12F-96F (4 per tray)	12/24F capacity tray available

4 Main Components



No.	Name of components	Quantity	Usage	Remarks
1	FOSC Cover	1 piece	Comprehensive protection joint	PVC
2	Fuse fiber disc	According to the request	Fixed, save fiber and protect optical fiber hot melt pipe	
3	base	1 unit	Fixed inside and outside structure	
4	Plastic hoop	1 set	Fixed base and shell	
5	Type O sealing ring	1 set	Used to seal base and shell seal	
6	Splice tray	4pcs	Splice fiber	12/24F O