

Fiber Wall Socket Technical Specification

Version: V1.0

Version	Upgrading Reason	Date	Maker	
V1.0		8 th .12.2018	Xiaopeng Wu	

Catalogue

1 DESCRIPTION.....	2
2 FEATURE.....	2
3 PICTURE.....	2
4 OPTICAL PARAMETER.....	3
5 ORDER CONFIRMATION.....	3

1 Description

SINDi's Fiber Wall Socket is applicable to FTTH, FTTO and FTTB, etc. for cable introduction in end user side. It shall be used to connect an Optical Network Unit (ONU) both for Multi Dwelling Unit (MDU) and Single Dwelling Unit (SDU).

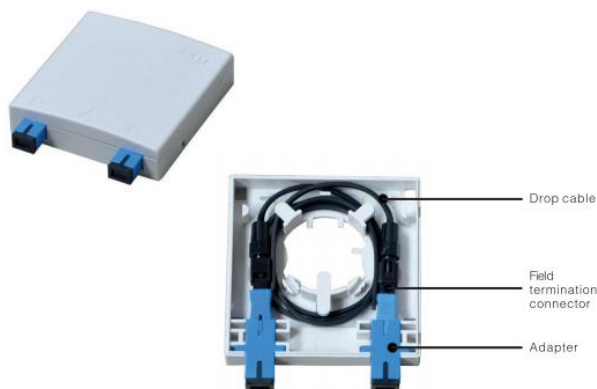
2. Feature

- Concise design, match all the decoration
- Two standard information sets, can accommodate two standard fiber optic adapters
- Fast installation with no glue or consumables
- High quality, high reliability and easy to install

3. Picture

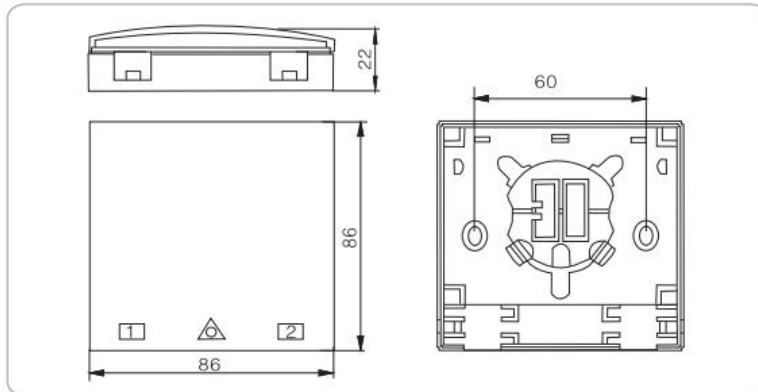


P 1 Fiber Wall Socket



P 2 Fiber Wall Socket with drop cable

Physical dimension (mm) :



4. Optical Parameter

T4.1 Fiber Wall Socket optical parameter

Parameter	Index
Suitable cable	Indoor optical cable (3.1mm*2.0mm)
Suitable pigtail	∅ 0.9mm
Operating time	About 3 minutes
Average insertion loss	<0.5dB
Return loss	>50dB Room temperature
Tensile strength	>20N
Material	White ABS Flame retardant plastic/ OEM
Adapter	SC type
Dimension	86mm*86mm*22mm

5. Order Confirmation

- Material
- Pigtail: fiber type, material, connector type, length
- Parameter (IL, RL and etc)
- Adapter type
- Qty. for pigtail and adapter
- LOGO
- Package